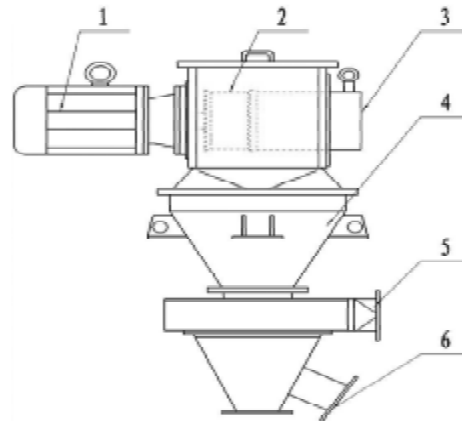


应用范围 (Application):

材 医药 农药 食 保健 新材 业

陶瓷 耐火

Widely used for chemical, minerals (especially applicable for non- mineral products classification, such as calcium carbonate, kaolin quartz, talc, mica, etc), metallurgy, abrasive, ceramics, fire- proof material, medicines, pesticides, food, health supplies, and new materials industries.



1 电 motor 2 classifying wheel 3 fine powder discharge
4 腔体 chamber 5 secondary air input 6 coarse material outlet

多转子分级机技术参数 (Technical parameters for multi-rotors):

规格型号 Model 参数 Parameters	HFV3315	HFV4315	HFV6315
理理T/h Processing capacity	1 5	2 8	3 10
d97: um Products Size	3 45	3 45	3 45
% Classifying Percentage	60 90	60 90	60 90
装 功 kW General Power	135 155	170 190	250 290

单转子分级机技术参数 (Technical parameters for Single- rotor):

规格型号 Model 参数 Parameters	HFV140	HFV200	HFV220	HFV260	HFV315	HFV330
理理T/h Processing capacity	20 200	50 500	50 600	100 1500	200 2000	300 2500
d97: um Products Size	3 45	3 45	3 45	3 45	3 45	3 45
% Classifying Percentage	60 80	70 85	70 85	60 80	70 85	60 80
装 功 kW General Power	16 19	20 27	21 28	22 30	50 61	53 65